

Finished Area Floor Drains

FD-100-EF Floor Drain with Round Funnel



Model Number	Weight (lbs.)	Str. Size	Outlet Size	Funnel	List Price
FD-102, 3, 4-EF-1	9	5"	2,3,4"	nickel bronze	\$909.00
FD-102, 3, 4-EF-50	10	5"	2,3,4"	cast iron	659.50

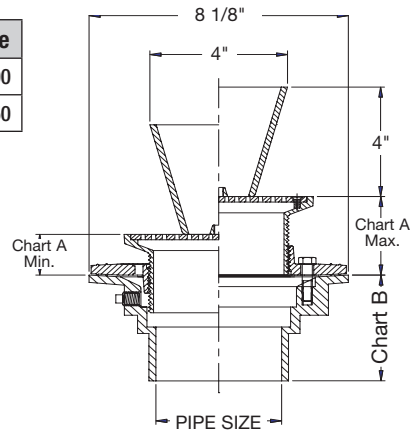


Chart A		
Strainer Dia.	Min.	Max.
5"	7/8"	3 1/4"

Chart B					
Pipe Size	No Hub	Push On	Female Thread	Inside Caulk	PVC/ABS
2"	3 5/8"	4 1/4"	4 1/4"	4 1/2"	4"
3"	3 5/8"	4 1/4"	4 1/4"	4 1/2"	4"
4"	3 5/8"	4 1/4"	4 1/4"	4 1/2"	4"
6"	3 1/2"	-	-	-	-

FD-100-EG Floor Drain with Oval Funnel



Model Number	Weight (lbs.)	Str. Size	Outlet Size	Funnel	List Price
FD-102, 3, 4-EG-1	10	5"	2,3,4"	nickel bronze	\$1,353.00
FD-102, 3, 4-EG-50	10	5"	2,3,4"	cast iron	904.00

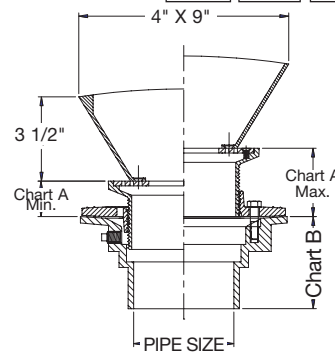


Chart A		
Strainer Dia.	Min.	Max.
5"	7/8"	3 1/4"

Chart B					
Pipe Size	No Hub	Push On	Female Thread	Inside Caulk	PVC/ABS
2"	3 5/8"	4 1/4"	4 1/4"	4 1/2"	4"
3"	3 5/8"	4 1/4"	4 1/4"	4 1/2"	4"
4"	3 5/8"	4 1/4"	4 1/4"	4 1/2"	4"
6"	3 1/2"	-	-	-	-

Note: Funnels are ordered separately. See page 63 for details.

Options for FD-100 Series:

Suffix	Description	List Price	Suffix	Description	List Price
None	No Hub Outlet	No Add	-13	Galvanized Body	\$195.50
P	Push-On Outlet	No Add	-15	Strainer Extension (DD-50)	141.00
T	Threaded Outlet	\$80.00	-60	PVC Body w/Socket Outlet (2, 3, 4" Only)	No Add
X	Inside Caulk	No Add	-61	ABS Body w/Socket Outlet (2, 3, 4" Only)	No Add
None	6" Outlet No Hub Only	120.00	-F6-1	6" Round Nickel Bronze Funnel	625.50
-5	Sediment Bucket	108.00	-S0	Side Outlet (2, 3, 4" Only)	218.00
-6	Vandal Proof	54.50			
-7	Trap Primer Tapping	No Add			
-8	Ball Float Backwater Valve (2,3,4" Only)	377.50			